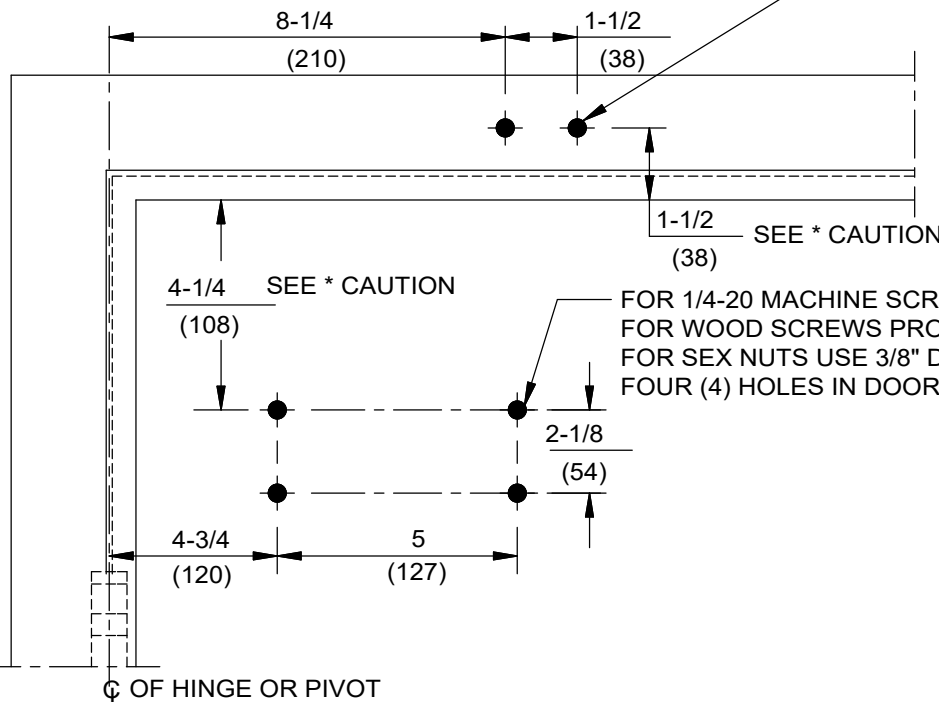
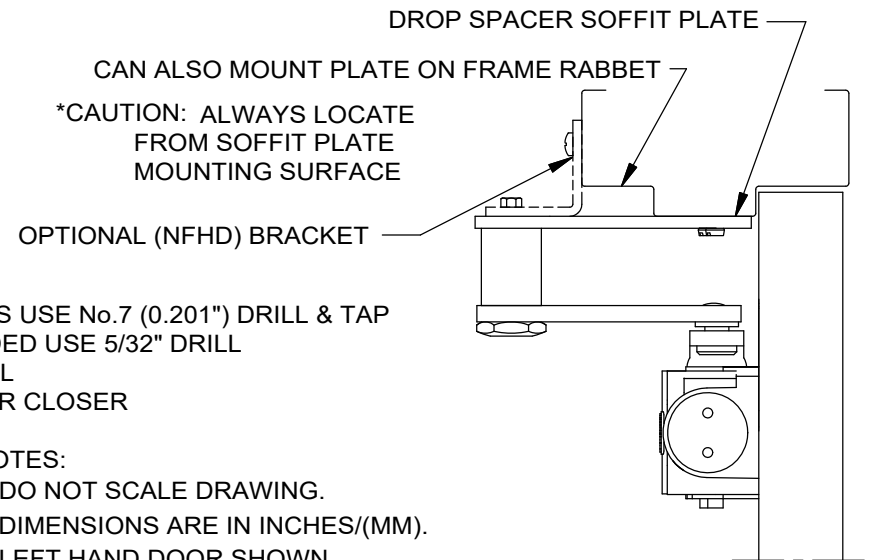


FOR 1/4-20 MACHINE SCREWS USE No.7 (0.201") DRILL & TAP
 FOR No.14 WOOD SCREWS USE 5/32" DRILL
 FOUR (4) HOLES IN SOFFIT FOR SOFFIT PLATE



FOR 1/4-20 MACHINE SCREWS USE No.7 (0.201") DRILL & TAP
 FOR No.14 WOOD SCREWS USE 5/32" DRILL
 TWO (2) "OPTIONAL" HOLES IN FRAME
 USED FOR OPTIONAL (NFHD) BRACKET



FOR 1/4-20 MACHINE SCREWS USE No.7 (0.201") DRILL & TAP
 FOR WOOD SCREWS PROVIDED USE 5/32" DRILL
 FOR SEX NUTS USE 3/8" DRILL
 FOUR (4) HOLES IN DOOR FOR CLOSER

NOTES:

1. DO NOT SCALE DRAWING.
2. DIMENSIONS ARE IN INCHES/(MM).
3. LEFT HAND DOOR SHOWN.
4. CAUTION: SEX NUTS ARE REQUIRED FOR ATTACHMENT OF COMPONENTS TO UNREINFORCED DOORS AND TO WOOD OR PLASTIC FACED COMPOSITE TYPE FIRE DOORS, UNLESS AN ALTERNATIVE METHOD IS IDENTIFIED IN THE INDIVIDUAL DOOR MANUFACTURER'S LISTINGS.

DOOR CLOSER MODELS: 8916/8956 SPA SP-6
 PARALLEL ARM INSTALLATION (PUSH SIDE MOUNT)
 WITH DROP SPACER - MAXIMUM OPENING 150°
 OPTIONAL NFHD BRACKET AND BSHD BLADE STOP SPACER BLOCK